

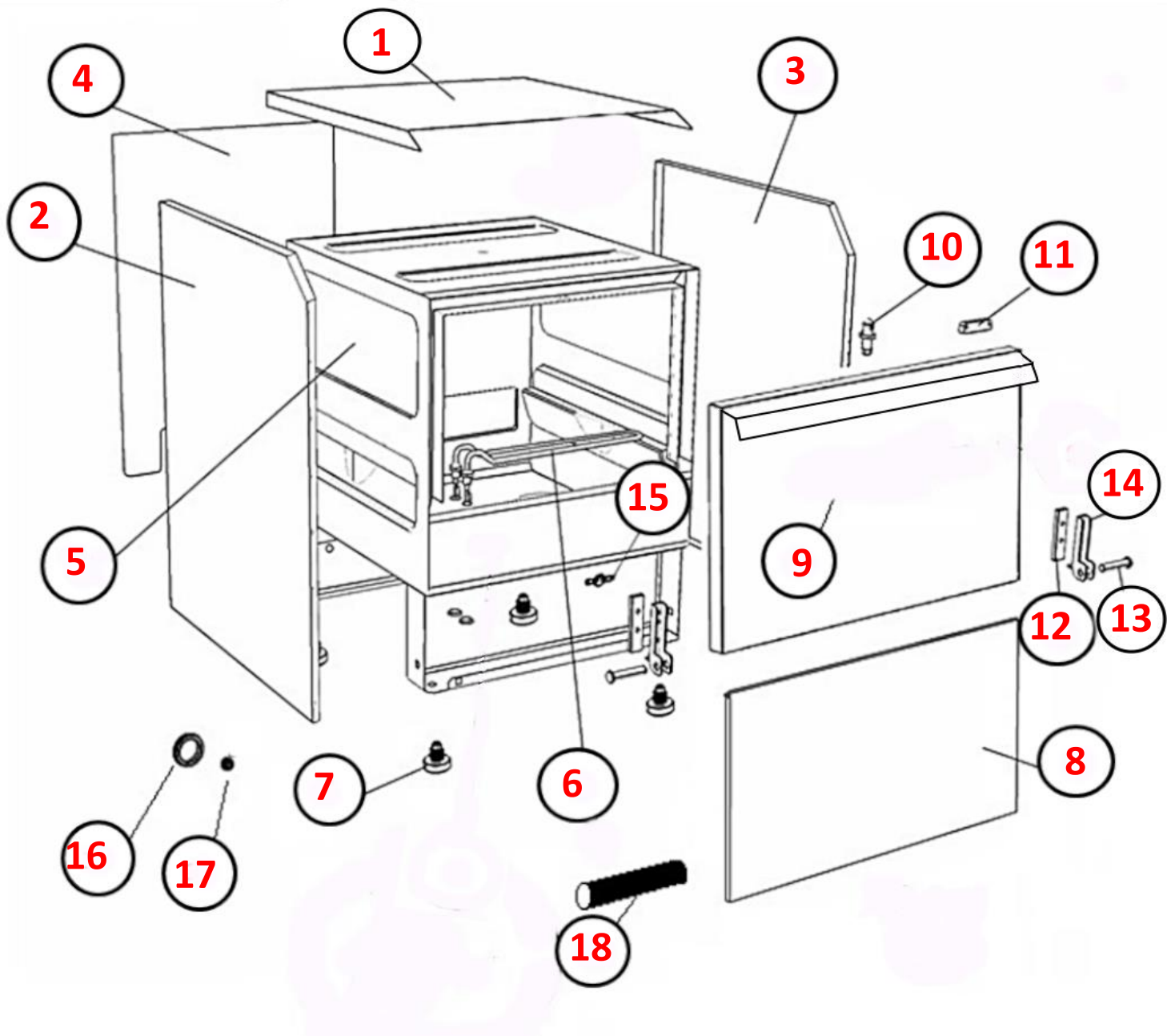
GGW1040

CODE	DESCRIPTION	DESCRIPTION	QTA
P1	PANNELLERIA	FRAME	1
P2	RISCIACQUO	RINSE	1
P3	LAVAGGIO	WASH	1
P4	GIRANTI	ARMS	1
P5	CABLAGGIO	WIRING	1
P6	DOSATORE	CHEMICAL PUMP	1

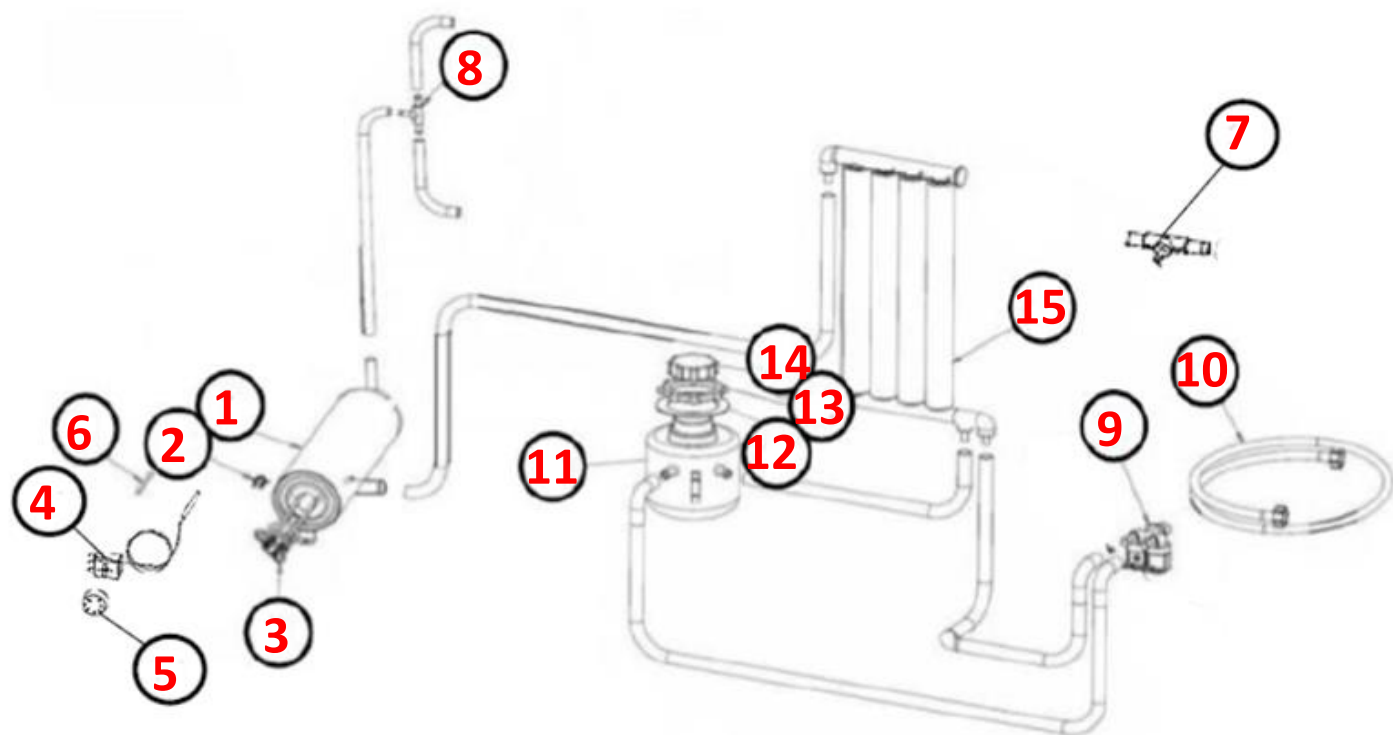


POS	CODE	DESCRIZIONE	DESCRIPTION	NR
1	902155	PANN. SUP. S28-S030 IMPERIAL	UPPER PANEL S28-S030 IMPERIAL	1
2	902153	PANN. LAT. S28-S030 SX IMPERIAL	LEFT-SIDE PANEL S28-S030 IMPERIAL	1
3	902152	PANN. LAT.S28-S030 DX IMPERIAL	RIGHT-SIDE PANEL S28-S030 IMPERIAL	1
4	902154	PANN. POST. S28-S030 IMPERIAL	BACK PANEL S28-S030 IMPERIAL	1
5	901856	VASCA + BAS. S030A	TANK + BASEMENT S030A	1
6	905771	RESIST. VASCA 1.6KW 230V	TANK HEATING ELEMENT 1.6KW 230V	1
7	905000	PIEDINO LAVAGGIO PVC NEW	FEET, WASH PVC NEW	4
8	902423	PANNELLO INFERIORE S28-S30 IMPERIAL	LOWER PANEL S28-S30 IMPERIAL	1
9	908529	PORTA S23-S025 CON M.I. 08/10	DOOR S23-S025 WITH HANDLE INOX 08/10	1
10	906121	SCROCCHETTO CON ROTELLA + DADO	LATCH WITH WHEEL + NUT	1
11	903651	MAGNETE + CUSTODIA FRONTALI	MAGNET + CONTAINER DISHWASHER	1
12	909920	RINFORZO PORTA FILETTATO	THREADED SUPPORT PLATE FOR DOOR	2
13	904795	PERNO PORTA	DOOR PIVOT	2
14	901245	CERNIERA PORTA SERIE S-N-E	DOOR HINGE MODEL S-N-E	2
15	907244	TERMOSTATO VASCA 55° PASTIGLIA	TANK THERMOSTAT 55° PADDLE	1
16	904721	PASSACAVO TUBO SCARICO LAVAGGIO	CABLE BUSHING DRAIN HOSE	1
17	904723	PASSACAVO TUBO BRILL./DET.	CABLE BUSHING RINSE PRODUCT/DETERGENT HOSE	1
18	904958	PROT. RESISTENZA VASCA IN SILICONE	TANK-HEATING ELEMENT PROTECTION SILICONE	2



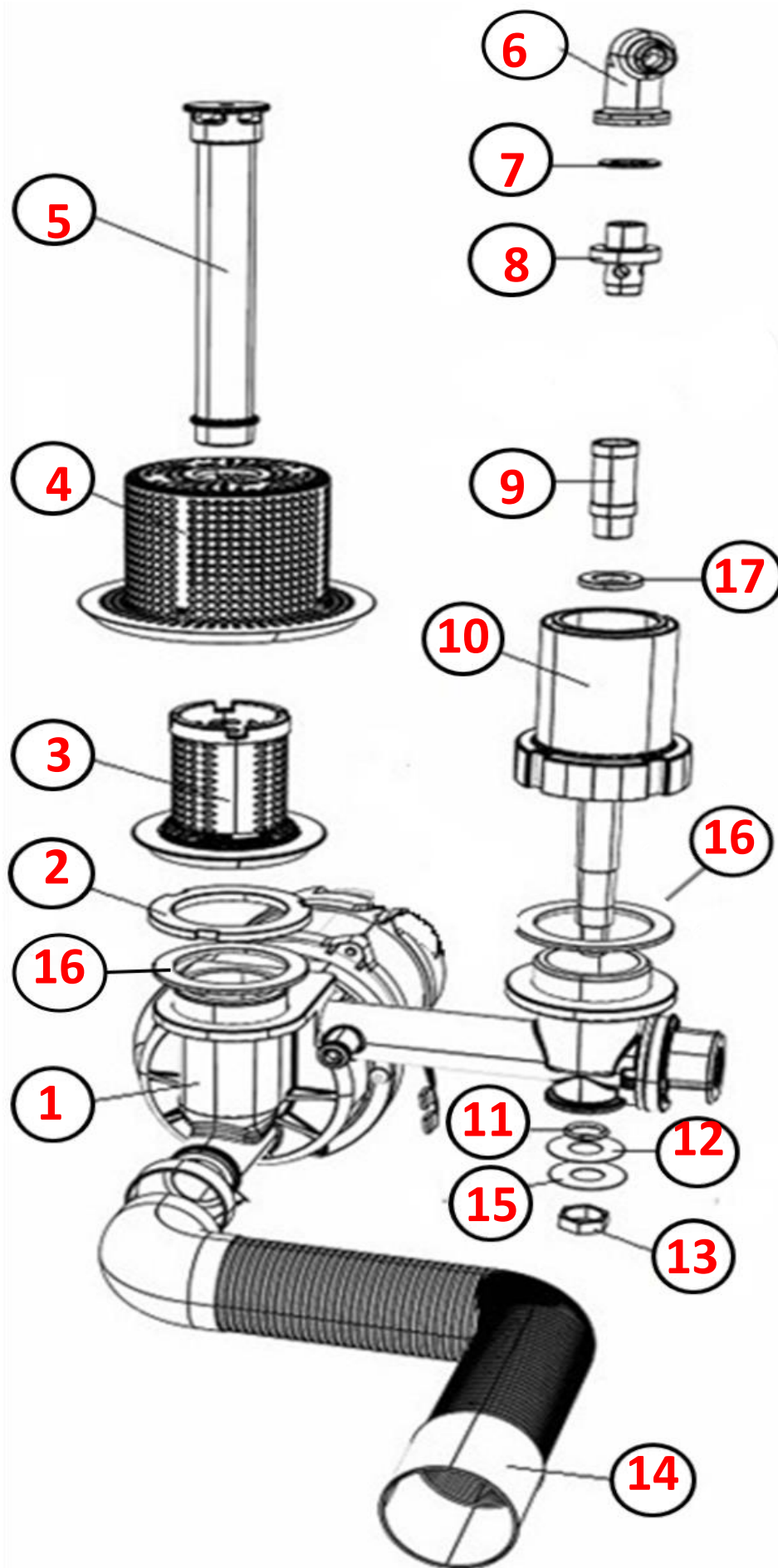


POS	CODE	DESCRIZIONE	DESCRIPTION	NR
1	900352	BOILER E35-E40-E40H-E40HL+RES.2.6KW Ø105	BOILER E35-E40-E40H-E40HL+RES.2.6KW Ø105	1
2	907297	TERMOSTATO SICUR. 110° PASTIGLIA	SAFETY THERMOSTAT 110° PADDLE	1
3	905496	RESIST. BOILER 2.6KW 230V +OR	BOILER HEATING ELEMENT 2.6KW 230V +OR	1
4	TR0440	TERMOSTATO BOILER 0/90 LAVASTOVIGLIE	THERMOSTAT BOILER 0/90 DISHWASHER	1
5	903982	MANOPOLA TERMOSTATO 0/90°	THERMOSTAT KNOB 0/90°	1
6	904075	LAMELLA OTTONE	BRASS PLATE	1
7	905073	RACC. 3 VIE Ø12 - Ø10 - Ø6	THREE-WAY CONNECTION Ø12 - Ø10 - Ø6	1
8	901496	RACC. 3 VIE Ø12 - Ø10 - Ø10	THREE-WAY CONNECTION Ø12 - Ø10 - Ø10	1
9	902401	ELETTROV. 2 VIE Ø10 CON RIDUTTORE ROSSO	2-WAYS SOLENOID VALVE Ø10 WITH RED REDUCER	1
10	907348	TUBO CARICO 90° 1500MM S 800 HW	WATER LOAD HOSE 90° 1500MM S 800 HW	1
11	901770	CONTENITORE SALE COMPLETO	COMPLETE SALT CONTAINER	1
12	903340	GUARN. CONTENITORE SALE	SALT CONTAINER GASKET	1
13	902830	GHIERA CONTENITORE SALE	FERRULE, SALT CONTAINER	1
14	906418	TAPPO CONTENITORE SALE	SALT-CONTAINER CAP	1
15	902150	DECALCIFICATORE	SOFTENER	1



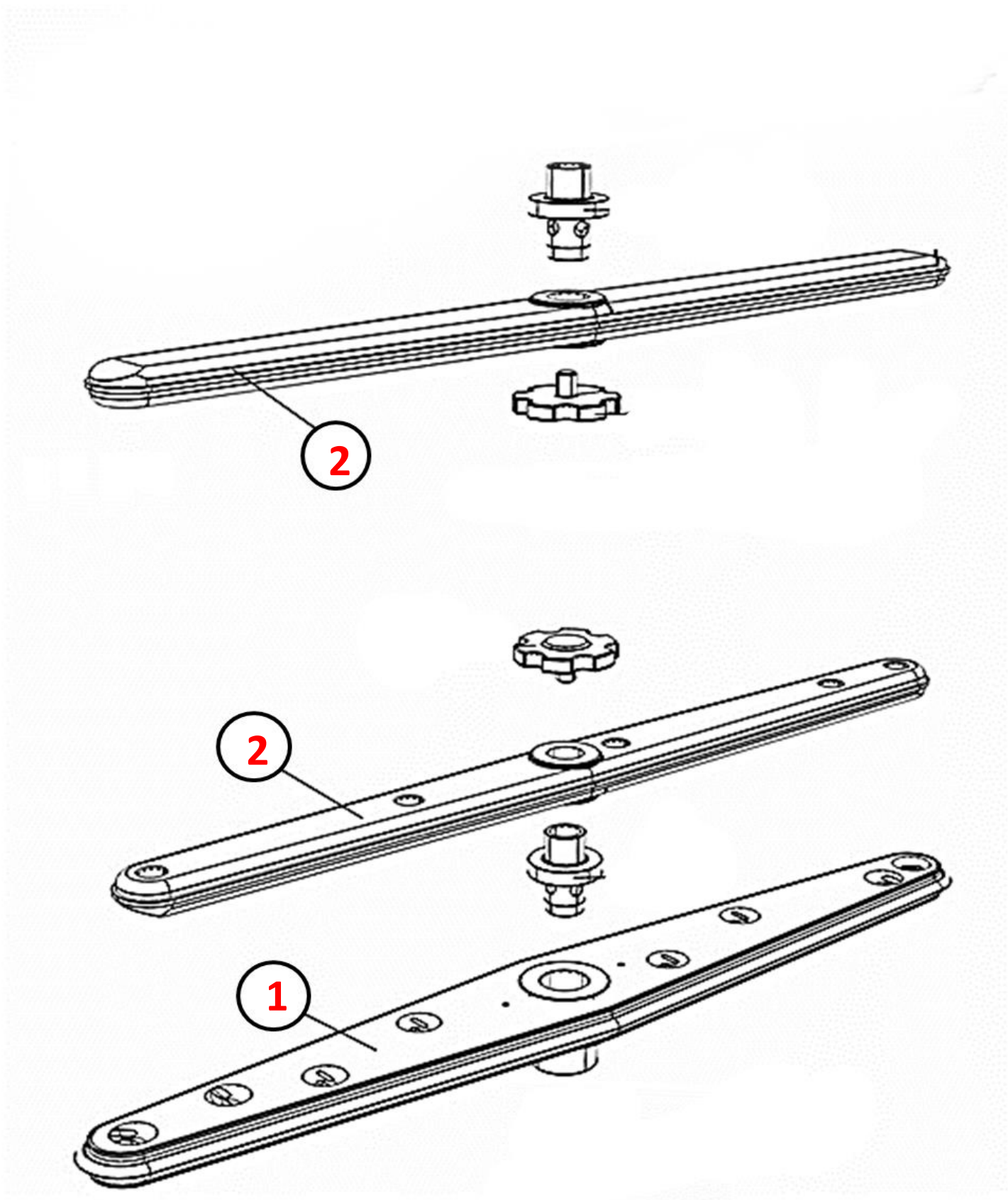
POS	CODE	DESCRIZIONE	DESCRIPTION	NR
1	902258	POMPA 0.17KW 230/1/50 SERIE S GIS	PUMP 0.17KW 230/1/50 MODEL S GIS	1
2	902133	GHIERA INOX 1" 1/2 POMPA SERIE S/E	STAINLESS-STEEL FERRULE 1" 1/2, PUMP MODEL S/E	1
3	902271	FILTRO FILETTATO CORPO POMPA SERIE S/E	THREADED FILTER PUMP MODEL S/E	1
4	902273	FILTRO ASPIRAZIONE SERIE S/E	ASPIRATION FILTER MODEL S/E	1
5	902276	TROPPO PIENO H159 SERIE S/E	OVERFLOW CAP H159 MODEL S/E	1
6	908100	RACC. GOMITO 1/4" + RACC. D.10	ELBOW CONNECTION 1/4" + CONNECTION D.10	1
7	903351	GUARN. FIBRA RACC. RISC. SUP.	FIBRE GASKET UPPER RINSE JUNCTION	2
8	908771	PERNO GIRANTE RISC. PIATTA PPL E INOX	PIVOT FLAT RINSE ARM (POLYPROPYLENE AND STAINLESS STEEL)	1
9	904765	PERNO GIRANTE LAV. SUP. INF. 32MM	UPPER/LOWER PIVOT WASH ARM 32MM	1
10	902268	MOZZO INF. LAV. RISC. SERIE S/E	LOWER WASH/RINSE HUB MODEL S/E	1
11	906222	OR VALVOLA ANTIRIFLUSSO_RISCIACQUO	OR NON RELIEF VALVE RINSE	1
12	903303	GUARN. RISCIACQUO POMPA SERIE S/E	RINSE-PUMP GASKET MODEL S/E	1
13	904534	DADO ES.17 1/4 INOX	STAINLESS-STEEL NUT ES.17 1/4	1
14	907440	TUBO SCARICO Ø24 1500MM	DRAIN HOSE Ø24 1500MM	1
15	906004	RONDELLA Ø30X13.5X0.8 ROMPIGETTO	WASHER Ø30X13.5X0.8 FAUCET AERATOR	1
16	903301	GUARN. MOZZO GIRANTI SP.3	ARM-HUB GASKET SP.3	2
17	906061	RONDELLA Ø 12 P.	WASHER Ø 12 P.	1





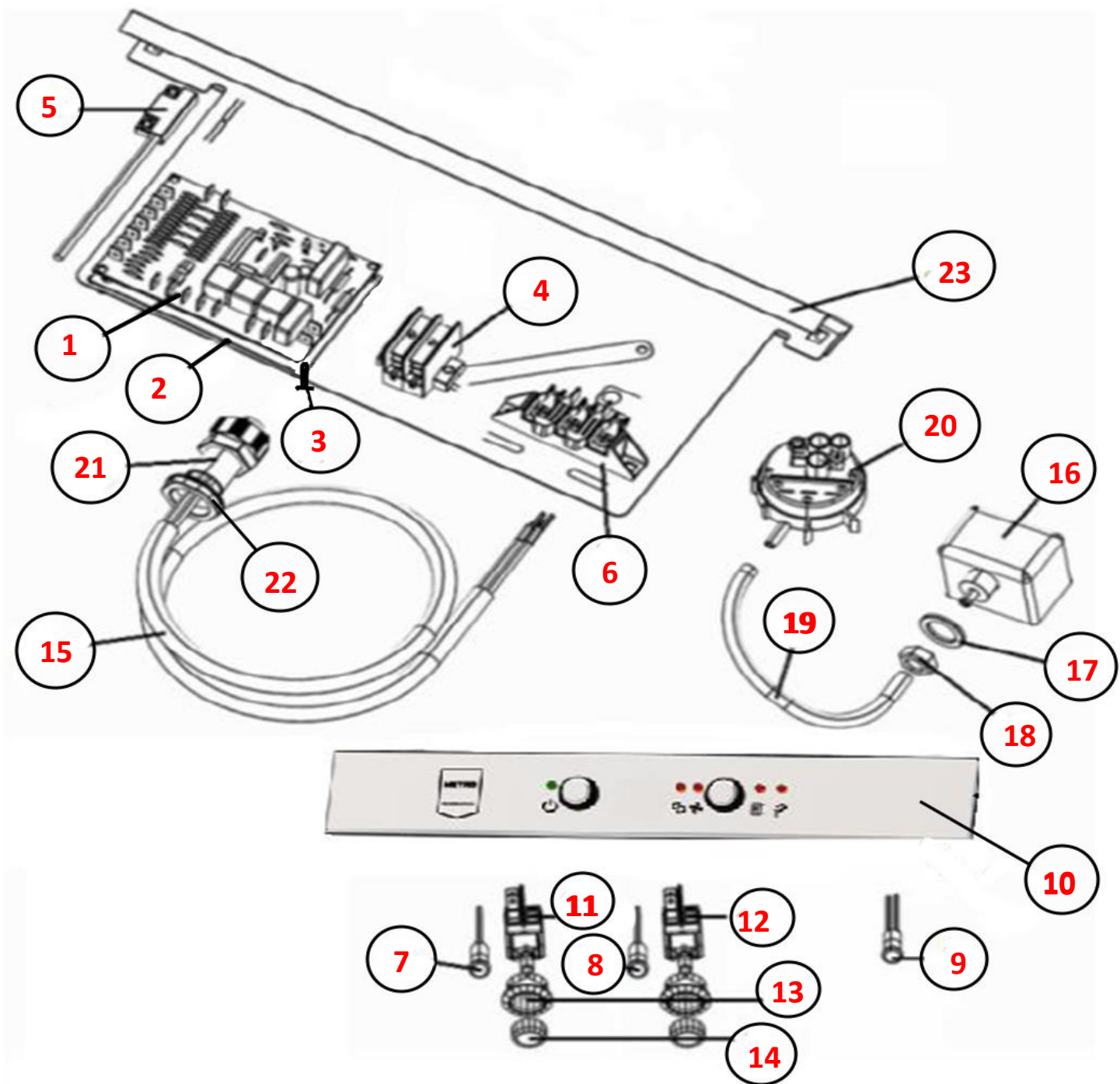
POS	CODE	DESCRIZIONE	DESCRIPTION	NR
1	903105	GIRANTE LAV. 2 CON MOZZO	WASH ARM 2 WITH HUB	1
2	907956.202	GRUPPO GIRANTE RISC. 2 PPL	HEATING IMPELLER GROUP 2 PPL	2





POS	CODE	DESCRIZIONE	DESCRIPTION	NR
1	907169	SCHEDA TRONIC CLONE ELCA	TRONIC BOARD CLONE ELCA	1
2	903623	ISOLATORE SCHEDE 907169	BOARD INSULATOR 907169	1
3	902193	DISTANZIALE TIMER ELETTRONICO	ELECTRONIC TIMER SPACER	4
4	904164	MORSETTO TRIPOLARE CON SPALLA	3-POLE CLAMP WITH BRACKET	1
5	909290	REED MAGNETICO LAVASTOVIGLIE	MAGNETIC REED WAREWASHER	1
6	904140	MORSETTIERA 3 POLI	TERMINAL BOX 3 POLES	1
7	903688	LAMP. SPIA Ø 6 VERDE+CAVI	GREEN WARNING LIGHT Ø 6 + CABLES	1
8	903686	LAMP. SPIA Ø 6 ARANCIO+CAVI CICLO_DEP.	ORANGE WARNING LIGHT Ø 6 +CABLES	2
9	903687	LAMP. SPIA Ø 6 ARANCIO+CAVI	ORANGE WARNING LIGHT Ø 6 + CABLES	1
10	902298	TARGA S030A METRO PROFESSIONAL	PLATE S030A METRO PROFESSIONAL	1
11	905314	INTERRUTTORE/DEVIATORE 6 FASTON INCLIN.	SWITCH/DIVERTER 6 INCLINED FASTONS	1
12	905313	PULS. 6 FASTON INCLINATO	6-INCLINED-FASTON BUTTON	1
13	905345	SUPP. PULS. TONDO Ø25 NERO	ROUND-BUTTON SUPPORT Ø25 BLACK	2
14	905323	TASTO TONDO Ø25 GRIGIO GOFFRATO	ROUND BUTTEN Ø25 MATT GRAY	2
15	908130	CAVO ALIMENTAZ. 3X2.5X3000 SPINA SCUKO	POWER-SOURCE CABLE 3X2.5X3000 SHUKO PLUG	1
16	905266	TRAPPOLA ARIA 45MM GRIGIO NEW	AIR TRAP 45MM GREY NEW	1
17	903263	GUARN. M12 TR.ARIA	GASKET M12 AIR TRAP	1
18	902038	DADO M12 PPL	NUT M12 PPL	1
19	907455	TUBO PRESSOSTATO 5X8 PVC NERO	PRESSURE SWITCH TUBE 5X8 PVC BLACK	1
20	905270	PRESSOSTATO 20/40	PRESSURE SWITCH 20/40	1
21	902683	PRESSACAVO PG16	CABLE GLAD PG16	1
22	902677	GHIERA PRESSACAVO PG16	FERRULE CAGLE GLAND PG16	1
23	902424	RETROTARGA CON PIASTRA S28-S030 MECCANICA IMPERIAL	BACKPLATE WITH PLATE S28-S030 MECHANICAL IMPERIAL	1





POS	CODE	DESCRIZIONE	DESCRIPTION	NR
1	902062	DOSATORE BRILL. PERIST. SEKO TEMPORIZZATO	PERISTALTIC RINSE-PRODUCT PUMP WITH REGULATOR	1
2	907456	PESO INOX 190mm TUBETTO BRILLANTANTE/DETERSIVO	STAINLESS STEEL WEIGHT TUBE RINSE AID DETERGENT 190mm	1
3	907278	TUBO CRYSTAL ROSSO 4X6	TRASPARENT-RED HOSE 4X6	2
4	907279	TUBO SILICONE 4X7	SILICONE HOSE 4X7	0,50 mt.
5	902569	FILTRO DOSATORE	DOSING UNIT FILTER	1



